



H-2405, H-2406, H-2407



Bacon Bomb Samplers

8oz. Bacon Bomb Sampler, Brass— H-2405B

8oz. Bacon Bomb Sampler, Stainless Steel— H-2405S

Obtains samples from storage tanks, tank cars and drums using thief method. Plunger opens to admit the sample when bomb is lowered to the bottom or when plunger is released at any desired level. Plunger seals tight when bomb is withdrawn; features o-ring-type valve seal. Available in plated brass or stainless steel. Capacity: 8 oz; 2" dia. x 10" L. Meets ASTM D117, D270, D923, D943. Shipping wt. 5 lbs. (2.3kg)

16oz. Bacon Bomb Sampler, Brass— H-2407B

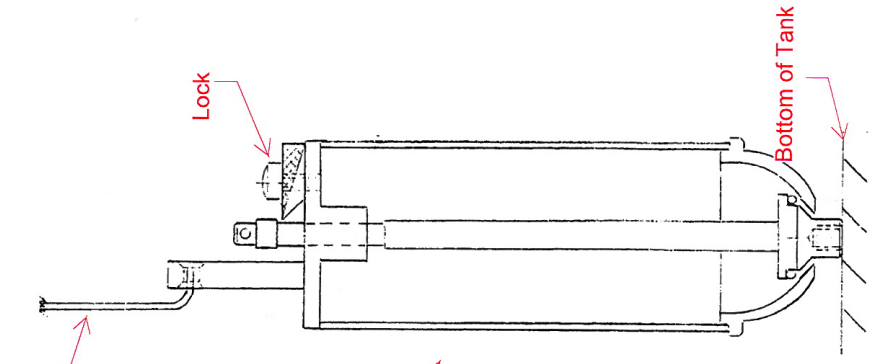
16oz. Bacon Bomb Sampler, Stainless Steel— H-2407S

Larger capacity with same features as H-2405. 2-3/4" dia. x 12"L. Shipping wt. 9 lbs. (4.1kg)

32oz. Bacon Bomb Sampler, Brass— H-2406B

32oz. Bacon Bomb Sampler, Stainless Steel— H-2406S

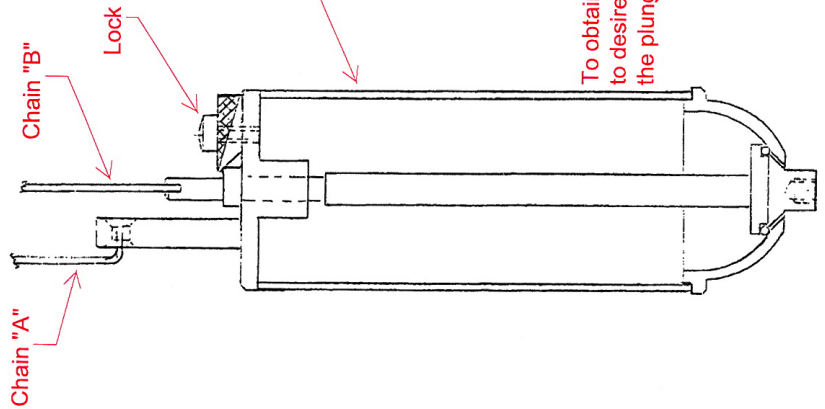
Larger capacity with same features as H-2405. 2-3/4" dia. x 15-1/4"L. Shipping wt. 15 lbs. (6.8kg)



Chain "A"

To obtain sample from the bottom of tank, lower bacon bomb on Chain "A" to bottom so plunger will push up and allow bomb to fill.

RELEASE LOCK BEFORE SUBMERGING BOMB IN TANK



Chain "A"

Chain "B"

Lock

To obtain sample from a specified depth, lower the bomb to desired depth on Chain "A" and pull Chain "B" to open the plunger and allow the bomb to fill.

3, 6, 12, and 18' long nipple extensions are available and can be used in conjunction with Bacon Bombs.

Warranty

Humboldt Mfg. Co. warrants its products to be free from defects in material or workmanship. The exclusive remedy for this warranty is Humboldt Mfg. Co., factory replacement of any part or parts of such product, for the warranty of this product please refer to Humboldt Mfg. Co. catalog on Terms and Conditions of Sale. The purchaser is responsible for the transportation charges. Humboldt Mfg. Co. shall not be responsible under this warranty if the goods have been improperly maintained, installed, operated or the goods have been altered or modified so as to adversely affect the operation, use performance or durability or so as to change their intended use. The Humboldt Mfg. Co. liability under the warranty contained in this clause is limited to the repair or replacement of defective goods and making good, defective workmanship.

Humboldt Mfg. Co.

875 Tollgate Road
Elgin, Illinois 60123 U.S.A.

U.S.A. Toll Free: 1.800.544.7220

Voice: 1.708.468.6300

Fax: 1.708.456.0137

Email: hmc@humboldtmfg.com

Testing Equipment for



Construction Materials

HUMBOLDT

www.humboldtmfg.com