



Plastic Limit Device

## **Introduction**

Easily repeatable mechanical technique produces consistent test results and saves time. Includes integral top plate/handle, one pad of 50 sheets of special adhesive backed paper to cover contact surfaces (paper will not introduce fibers into soil samples), and instructions. Rigid acrylic 8 x 4-1/2 x 1-1/4" (203 x 114 x 32mm). Meets ASTM D4318; AASHTO T90, TX DOT 105-E.

## **Preparation of the Plastic limit Device for Testing**

Place one sheet of adhesive-backed Plastic Limit paper on the bottom plate and one on the top plate of the Plastic Limit Device.

## **Procedure**

1. Reduce the water content of the soil to approximately the Plastic Limit (i.e. where the soil is non-sticky).
2. Select four to five 1.5 to 2g portions of soil.
3. Roll each portion of soil into an ellipsoidal mass.
4. Place each ellipsoidal mass about 1 to 1-1/2" apart on the bottom plate. See Figure 1.
6. When the top plate comes into contact with the 1/8" rail, check to see if the soil is at the Plastic Limit. For an example of the Plastic Limit, see Figure 2. (Be sure to check all Plastic Limit definitions with the procedure.)  
Positions of Soil Portions on the Bottom Plate.
7. If the soil is not at the Plastic Limit, collect the threads and knead them together. Repeat Steps 2-6.
8. When the soil is at the Plastic Limit, push the threads to one side of the bottom plate and dump them into a tared container. Weigh immediately.

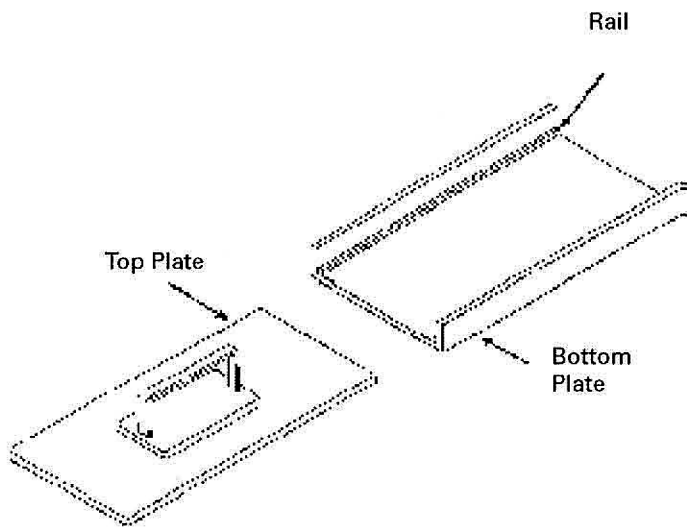


Fig. 1  
Positions of Soil Portions on the Bottom Plate.

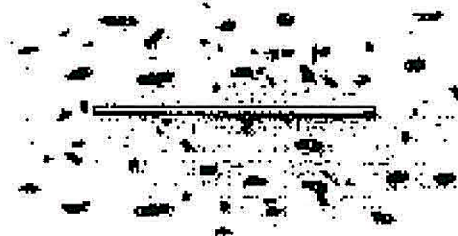


Fig. 2  
A Clay Soil at the Plastic Limit.

## **Warranty**

Humboldt Mfg. Co. warrants its products to be free from defects in material or workmanship. The exclusive remedy for this warranty is Humboldt Mfg. Co., factory replacement of any part or parts of such product, for the warranty of this product please refer to Humboldt Mfg. Co. catalog on Terms and Conditions of Sale. The purchaser is responsible for the transportation charges. Humboldt Mfg. Co. shall not be responsible under this warranty if the goods have been improperly maintained, installed, operated or the goods have been altered or modified so as to adversely affect the operation, use performance or durability or so as to change their intended use. The Humboldt Mfg. Co. liability under the warranty contained in this clause is limited to the repair or replacement of defective goods and making good, defective workmanship.

### **Humboldt Mfg. Co.**

875 Tollgate Road  
Elgin, Illinois 60123 U.S.A.

U.S.A. Toll Free: 1.800.544.7220

Voice: 1.708.468.6300

Fax: 1.708.456.0137

Email: [hmc@humboldtmfg.com](mailto:hmc@humboldtmfg.com)

Testing Equipment for



Construction Materials

# **HUMBOLDT**

[www.humboldtmfg.com](http://www.humboldtmfg.com)